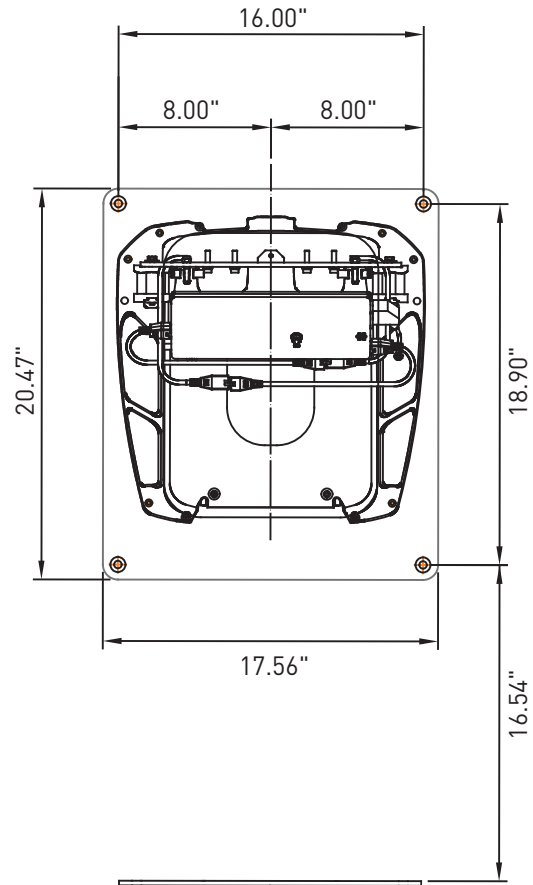
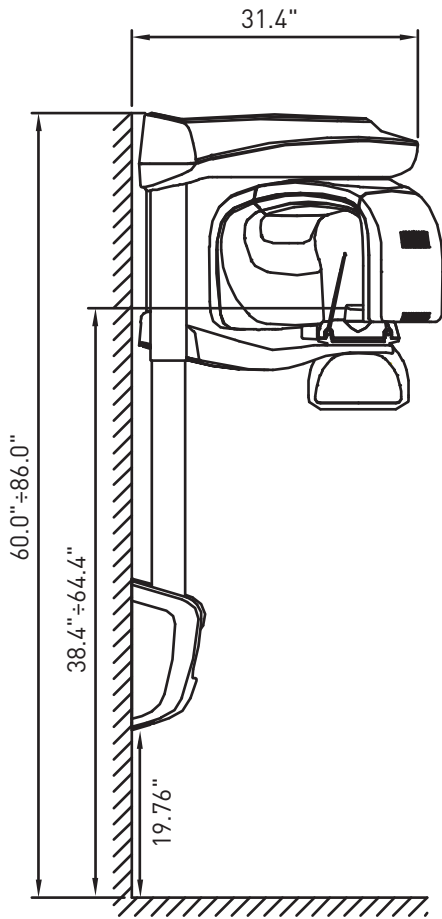
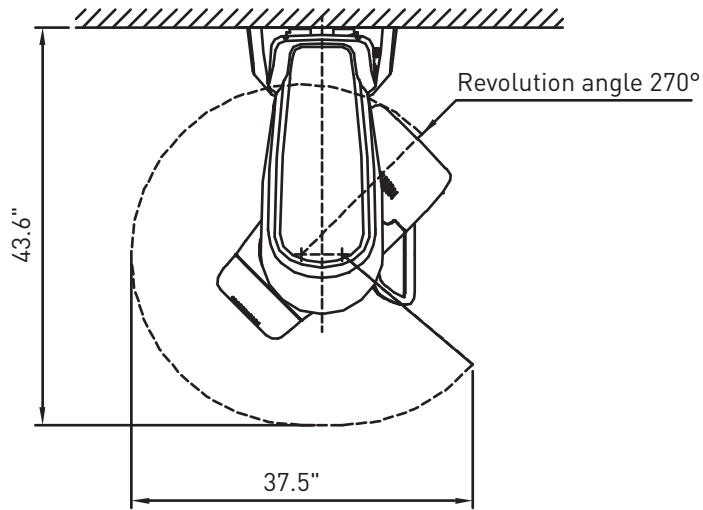




Unit dimensions



Wall-back plate